



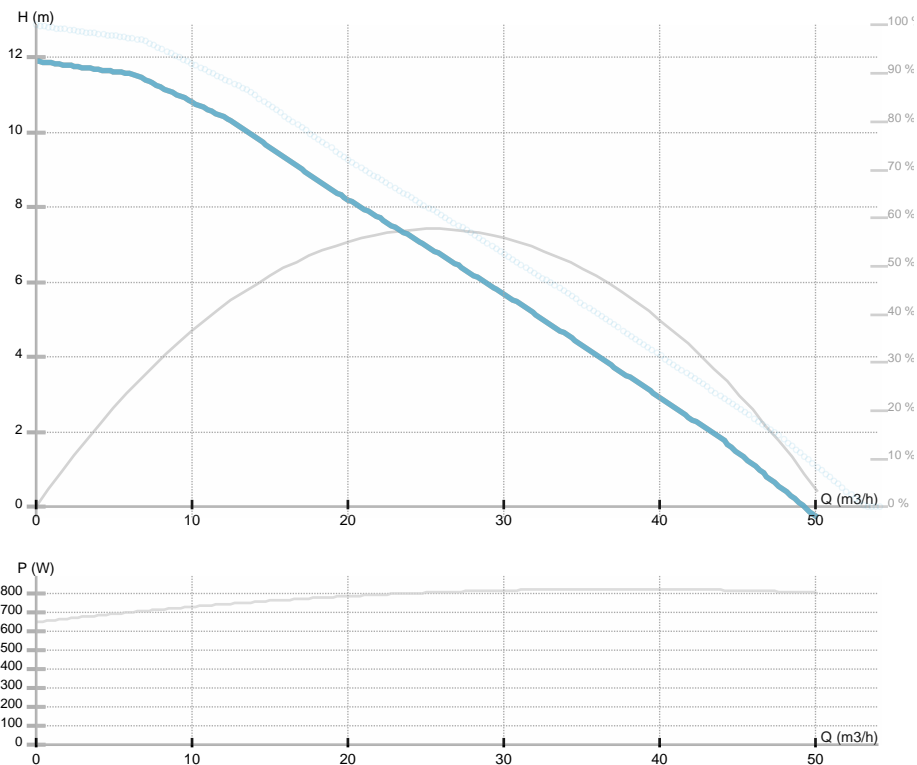
NMT MAX 65/120 F340

979524758

NMT MAX / Electronically regulated circulating pump
 Heating/cooling

GENERAL

Part number	979524758		
Part name	NMT MAX 65/120 F340		
Seal type	EEl		0.2
Net weight	19.60 [kg]		
H max	11.91 [m]	H min	0.0 [m]
Q max	50.2 [m3/h]	Q min	0.0 [m3/h]
	59 [%]		
Noise	≤43 dB(A)		



ELECTRICAL DATA

Power supply	1~230 V
Mains frequency	50/60 Hz
Motor power	810 [w]
RPM	3900 [1/min]
Insulation class	H
Declared current	3.5 [A]
Declared protection	IP44
Thermal protection	NTC
Frame size	
Motor IE class	

INSTALLATION

Fluid	Water VDI 2035, glycol 40%
Fluid temperature	-10.0 ÷ 110.0 [°C]
Ambient temp.range	40 deg C
Length	340 [mm]
DN	65 [mm]
Connector	PN 6/10
Connection	PN 6/10
Max pressure	1.0 MPa

MATERIAL

Bearing material	Graphite
Impeller material	PES GF 30
Hydraulics material	Gray cast iron
Shaft material	AISI 420

NMT MAX 65/120 F340

979524758

NMT MAX / Electronically regulated circulating pump

Heating/cooling



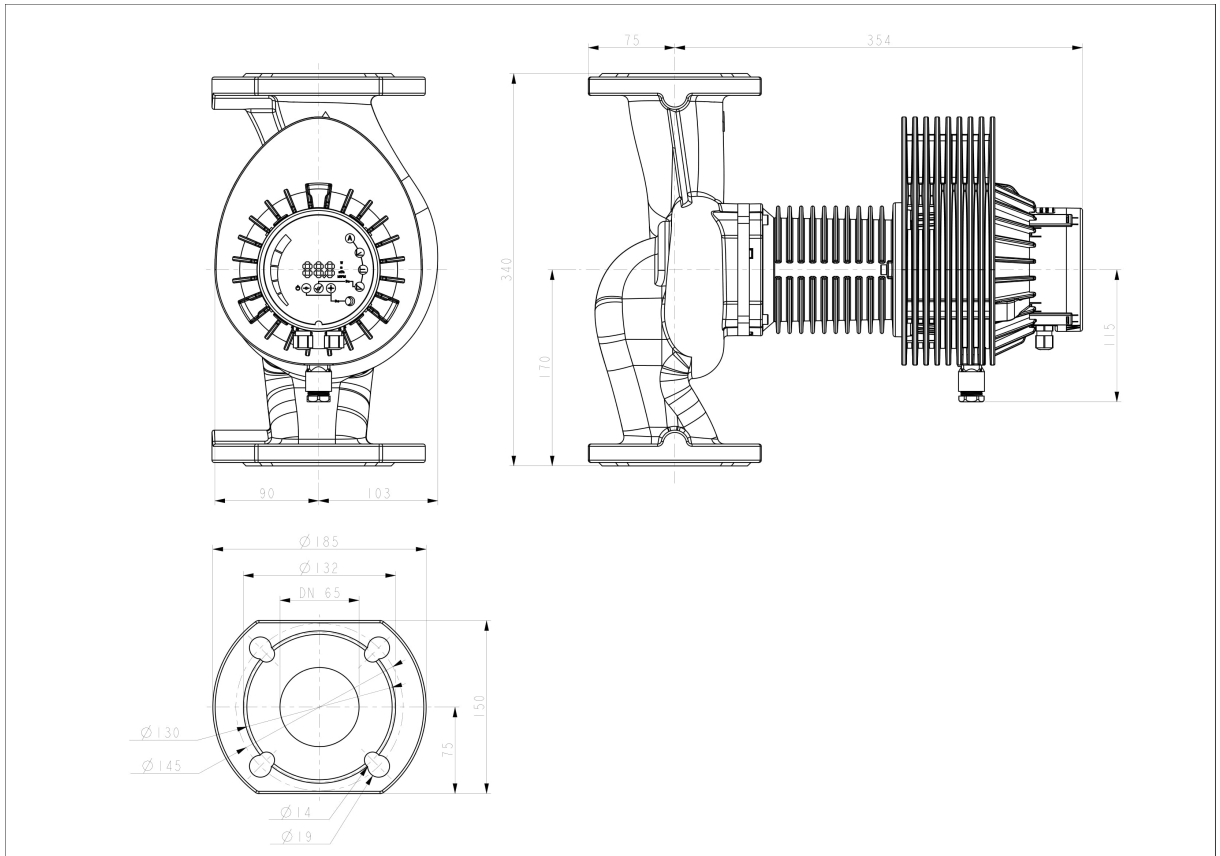


NMT MAX 65/120 F340

979524758

NMT MAX / Electronically regulated circulating pump
Heating/cooling

Dimension drawing





NMT MAX 65/120 F340

979524758

NMT MAX / Electronically regulated circulating pump
Heating/cooling

Electrical wiring

