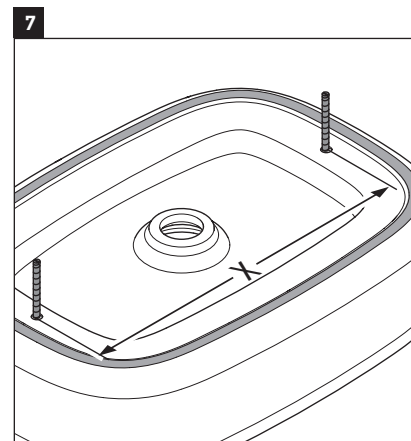
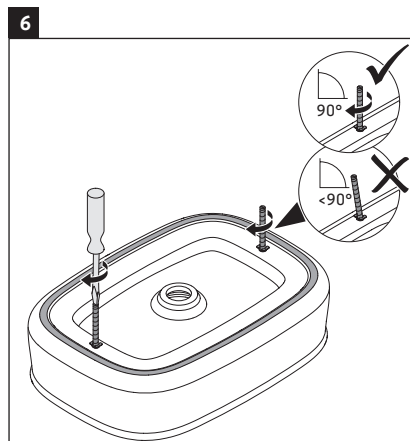
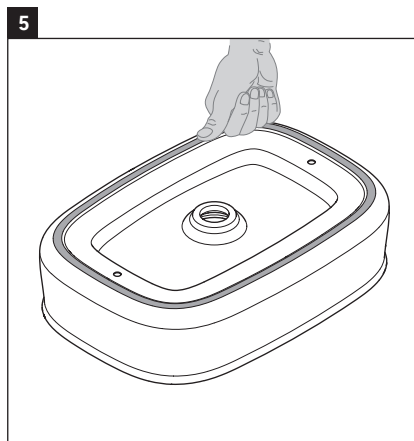
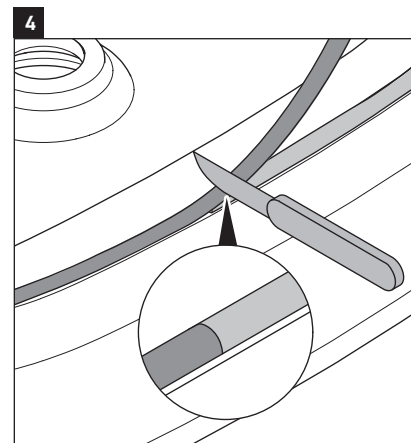
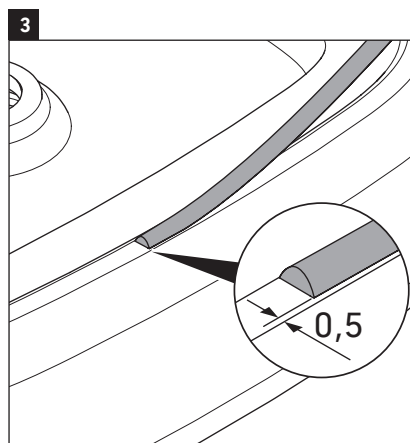
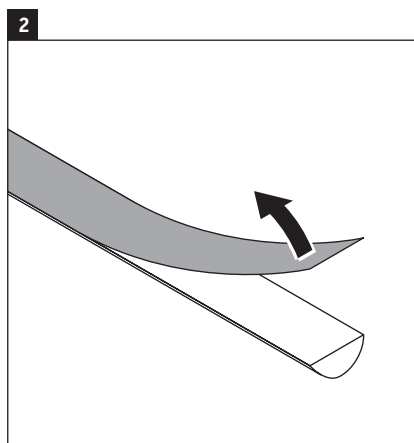
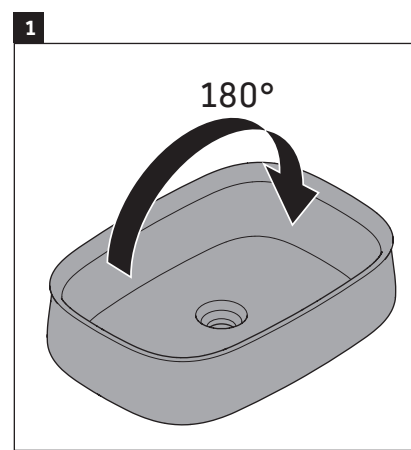
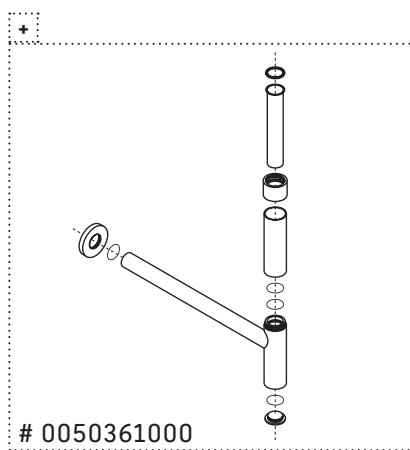
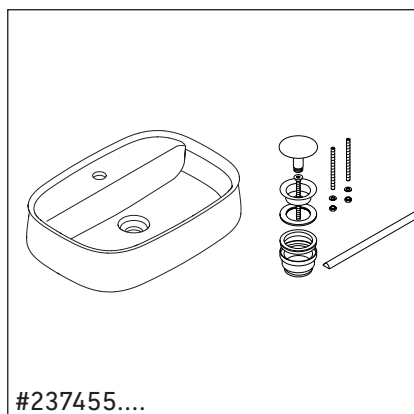
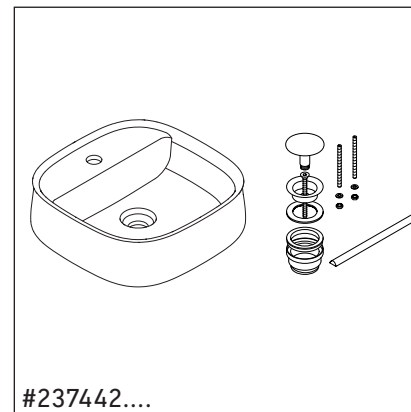
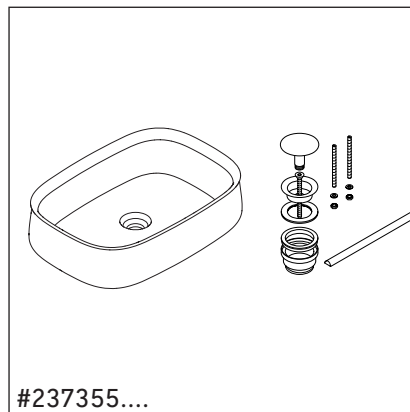
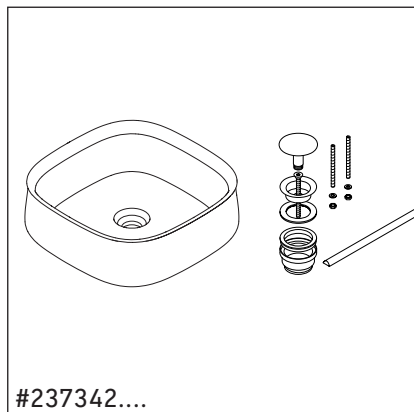




DURAVIT



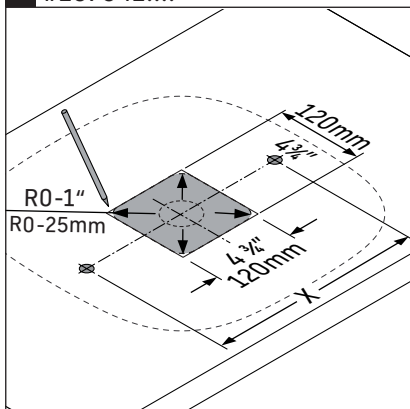
MAL_70300161/21.02.1 1



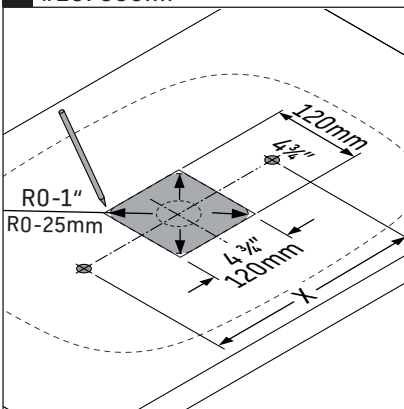


DURAVIT

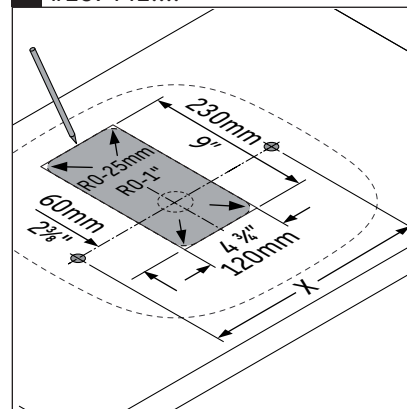
8 #237342....



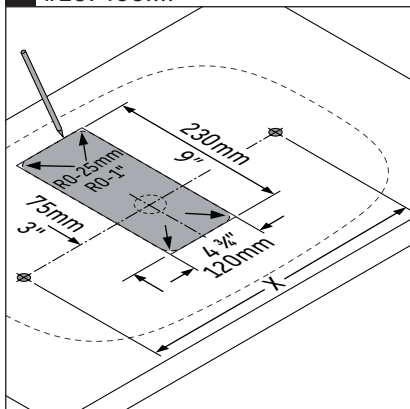
9 #237355....



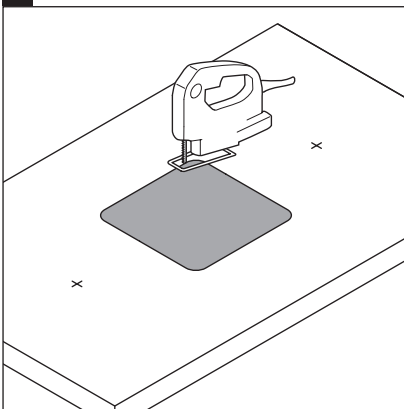
10 #237442....



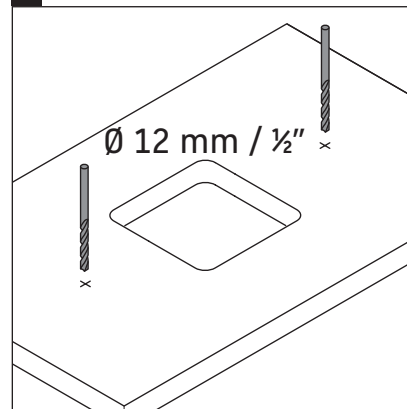
11 #237455....



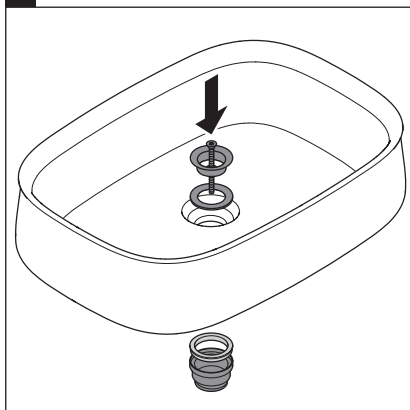
12



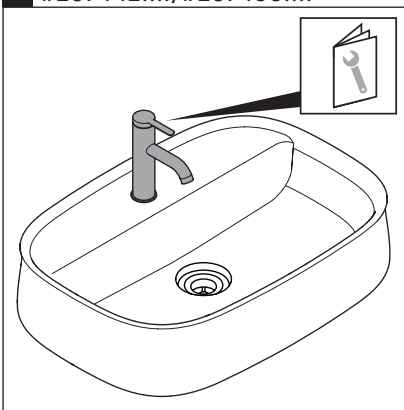
13



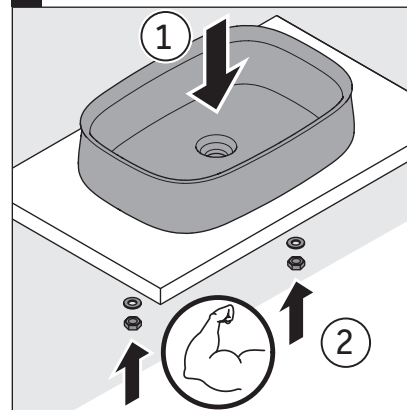
14



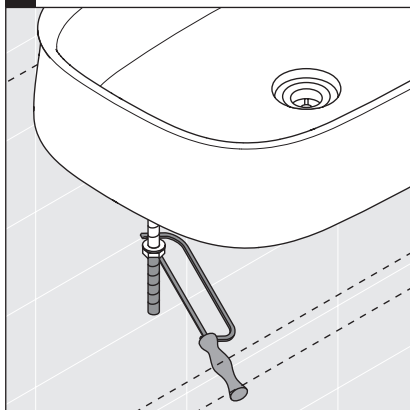
15 #237442..../#237455....



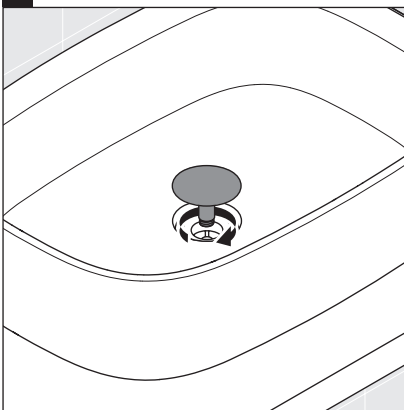
16



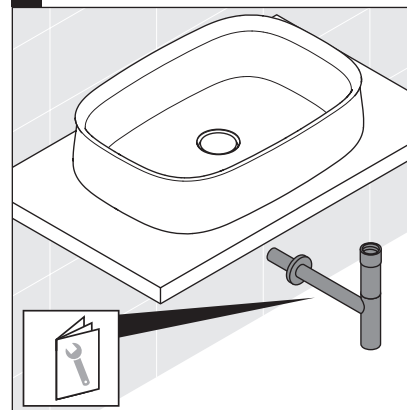
17



18



19



DURAVIT AG, Werderstr. 36, 78132 Hornberg, Germany, Phone +49 78 33 700, Fax +49 78 33 70 289, info@duravit.de, www.duravit.de

57471 Best.-Nr. 70300161/21.02.1 We reserve the right to make technical improvements and enhance the appearance of the products shown.

