

Technische Daten/ Technical Data

KLUDI BOZZ

concealed single lever bath-and shower mixer

Ref.:
386590576

Finishes:
05 chrome

Product description

Manufacturer KLUDI GmbH & Co. KG

Typ: KLUDI BOZZ

concealed single lever bath-and shower mixer

Ref.: 386590576

concealed bath-shower mixer

single lever mixer

trim set without pre-installation set

pre installation set KLUDI FLEXX.BOXX Ref.: 88011

trim set with functional unit

wall mounted

PUSH&SWITCH diverter

automatic diverter: shower/bath

solid lever, metal

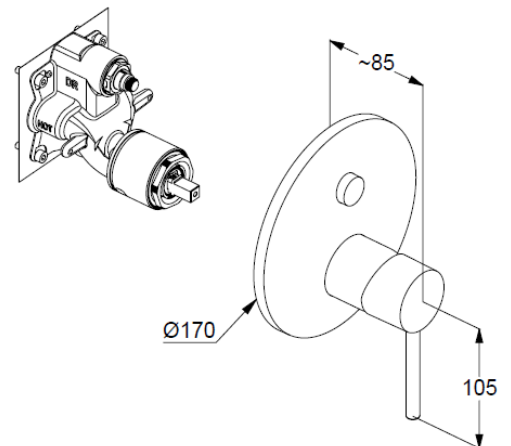
ceramic cartridge with hot water safety device

flow rate at 3 bar 29 l/min.

Produktabbildung/ Product picture



Maßzeichnung/ Dimensional drawing



Durchfluss/ Flow rate

